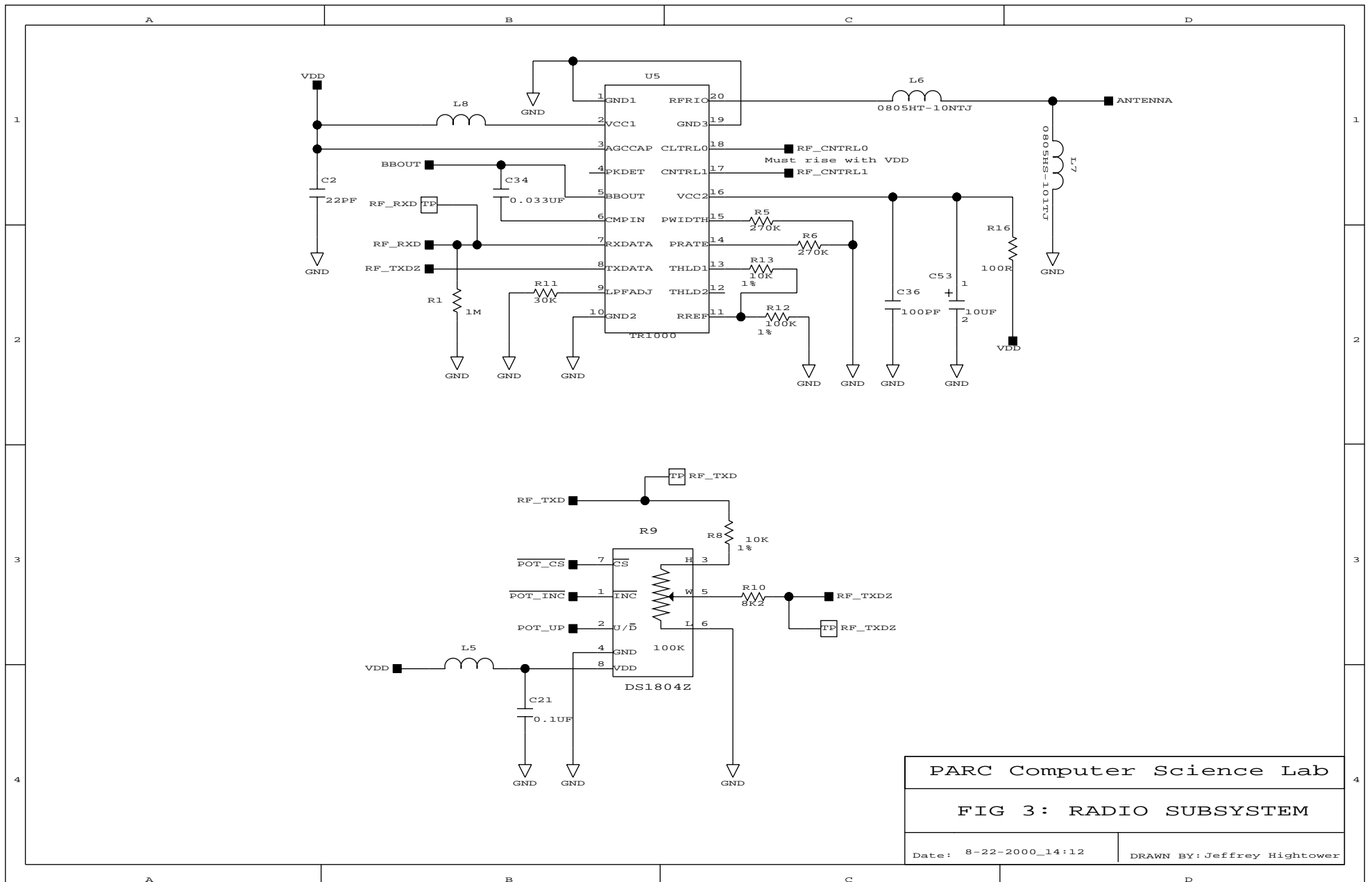


PARC Computer Science Lab

FIG 2: MEMORY SUBSYSTEM

Date: 8-21-2000_19:38

DRAWN BY: Jeffrey Hightower

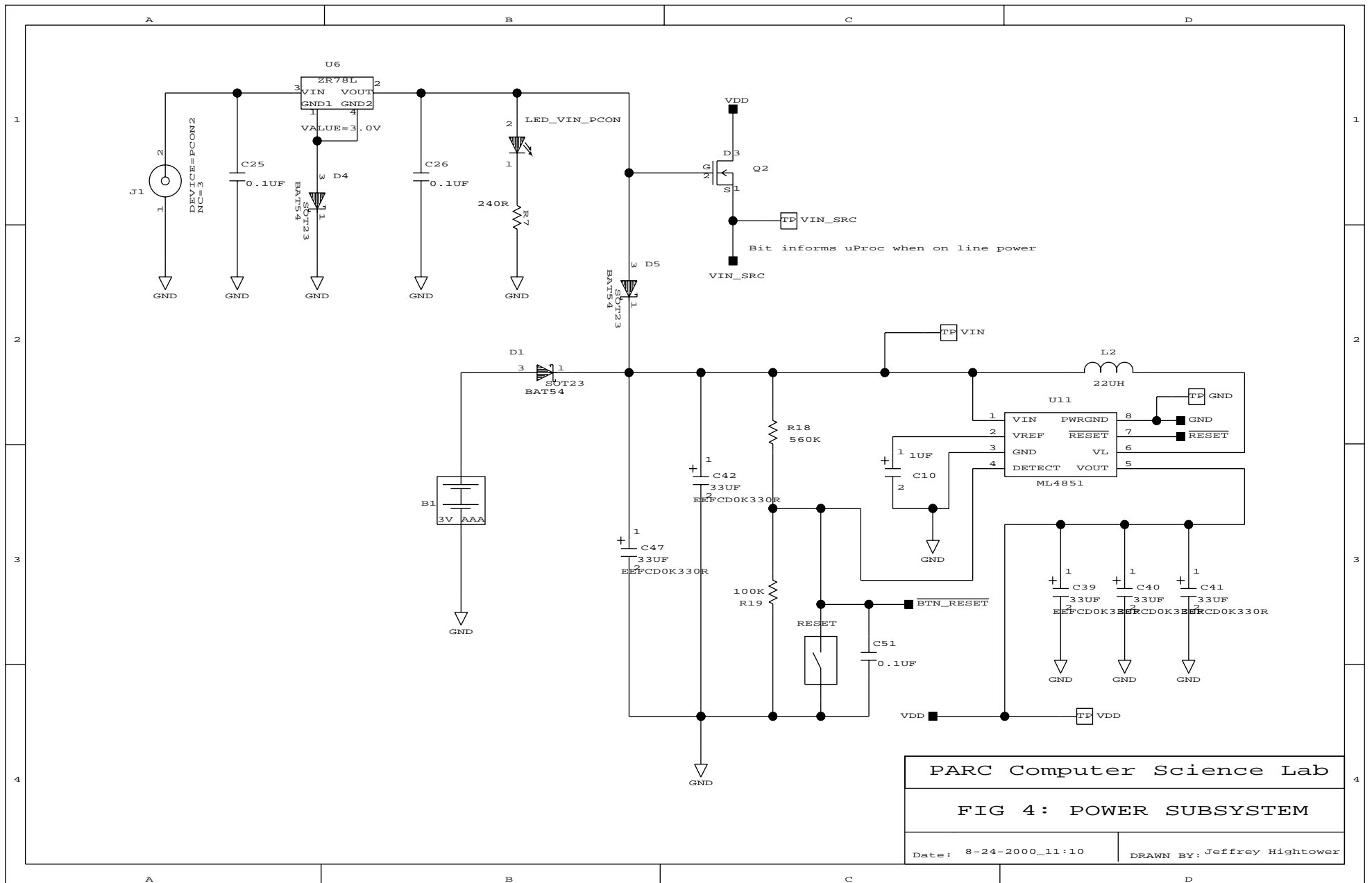


PARC Computer Science Lab

FIG 3: RADIO SUBSYSTEM

Date: 8-22-2000_14:12

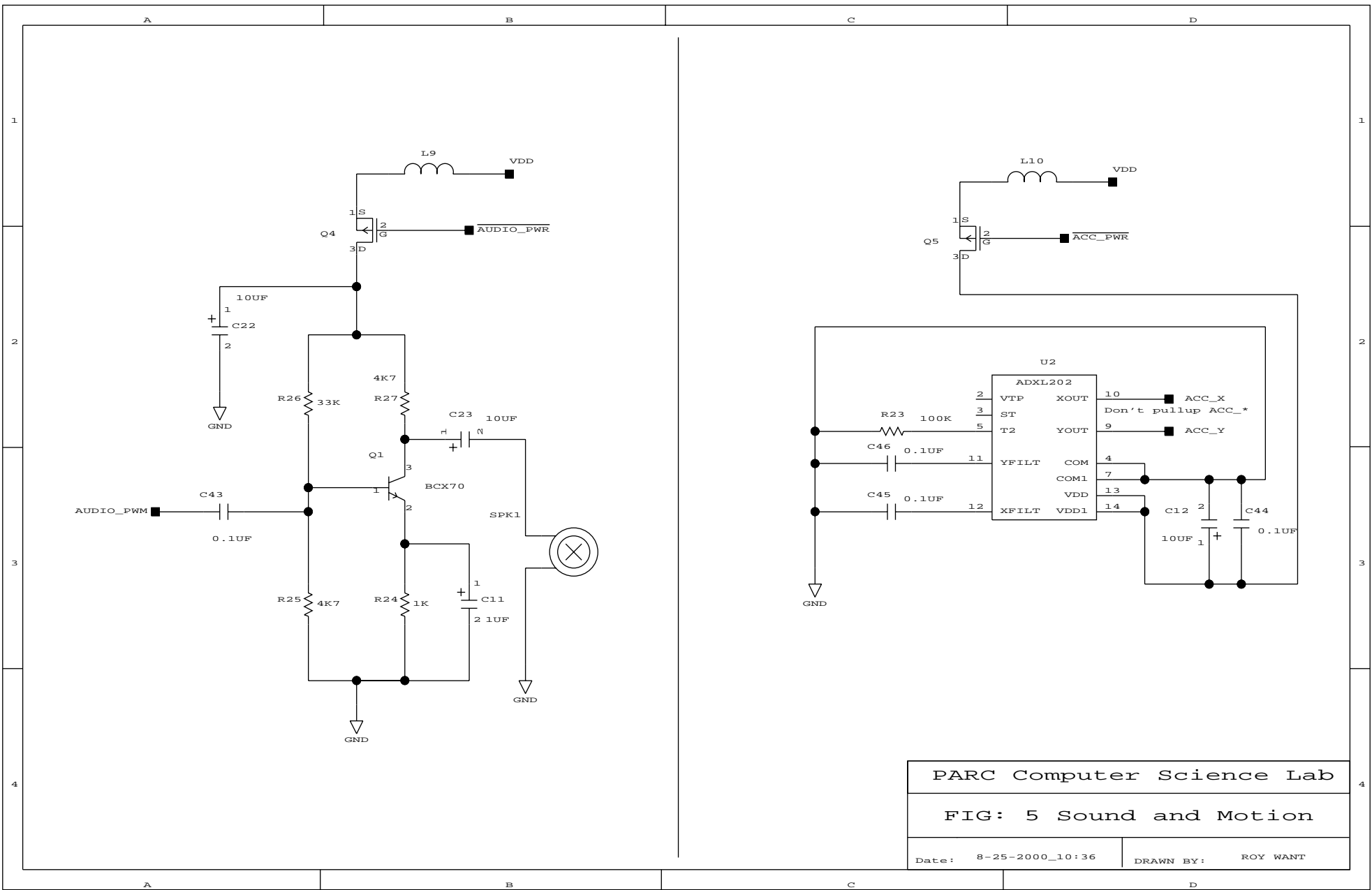
DRAWN BY: Jeffrey Hightower



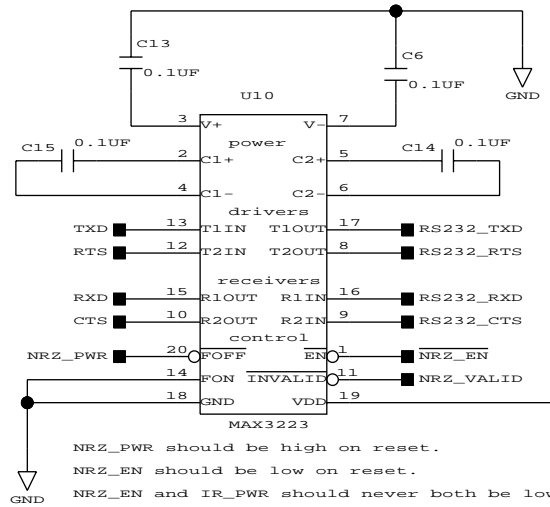
PARC Computer Science Lab

FIG 4: POWER SUBSYSTEM

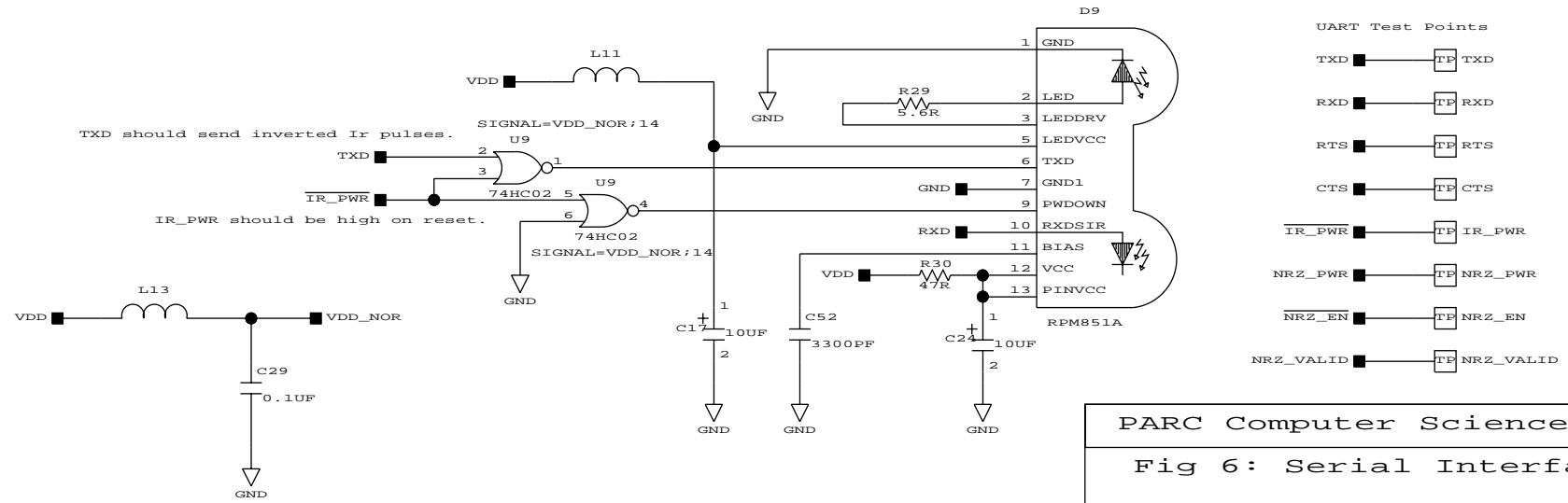
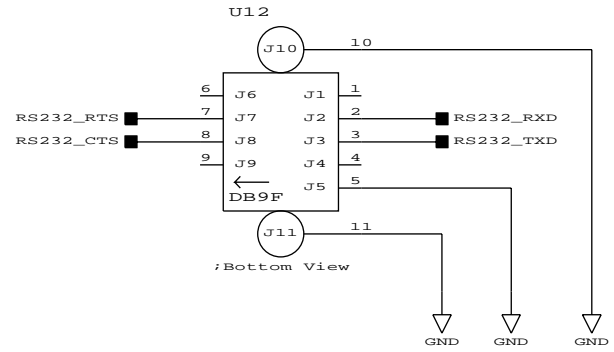
Date: 8-24-2000_11:10 DRAWN BY: Jeffrey Hightower



PARC Computer Science Lab
 FIG: 5 Sound and Motion
 Date: 8-25-2000_10:36 DRAWN BY: ROY WANT



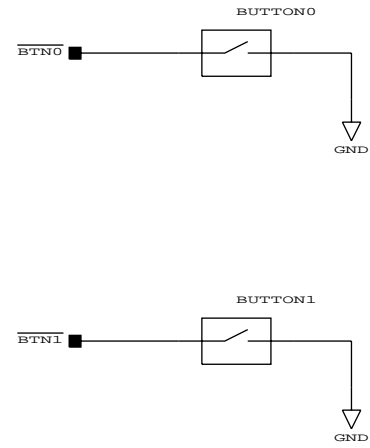
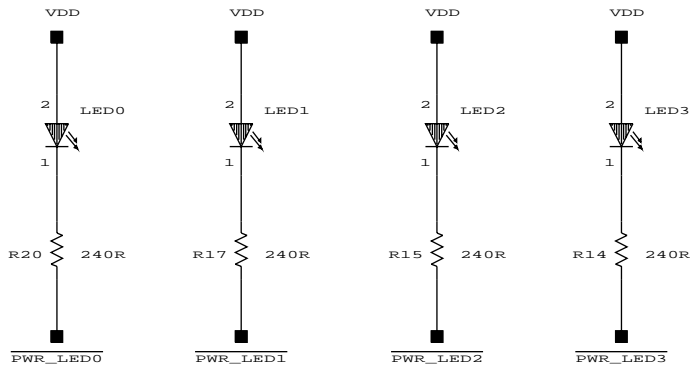
Note: This is a host and requires a NULL cable.



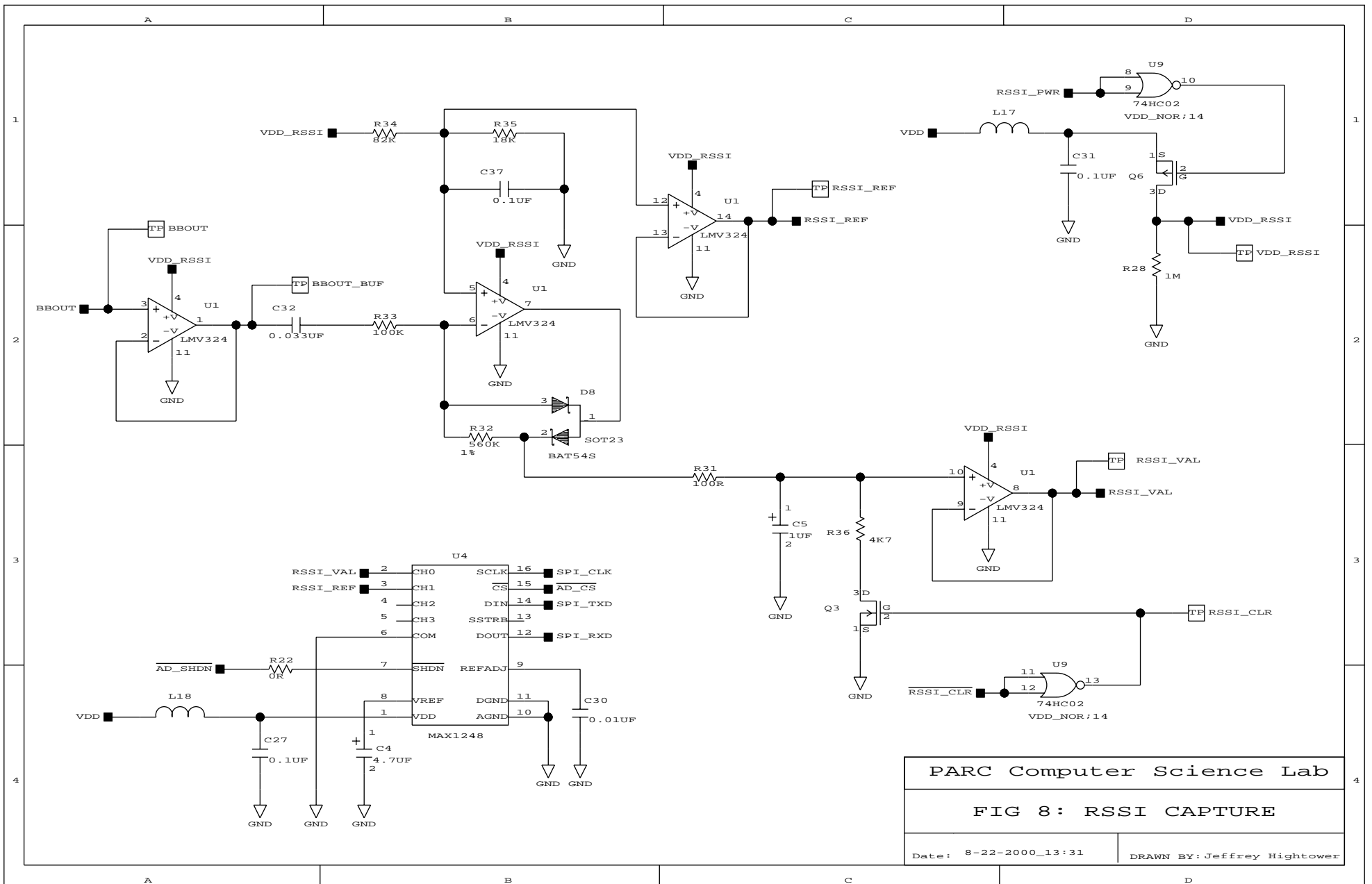
PARC Computer Science Lab

Fig 6: Serial Interface

Date: 8-22-2000_11:59 DRAWN BY: Jeffrey Hightower



PARC Computer Science Lab	
Fig 7: LEDs & Buttons	
Date: 8-22-2000_14:09	DRAWN BY: Jeffrey Hightower



PARC Computer Science Lab

FIG 8: RSSI CAPTURE

Date: 8-22-2000_13:31

DRAWN BY: Jeffrey Hightower